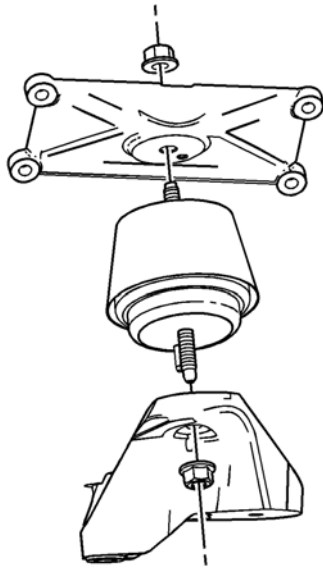


Engine Mount Replacement - Left Side

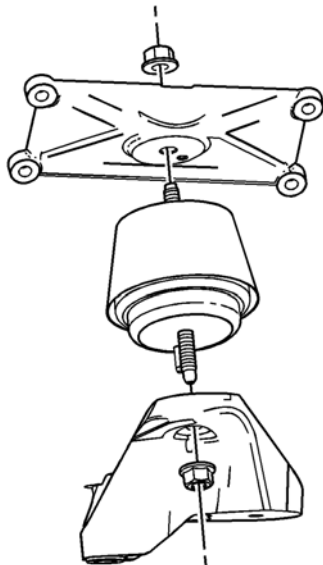
Removal Procedure

1. Raise and support the vehicle. Refer to [Lifting and Jacking the Vehicle](#) in General Information.
2. Remove the left engine mount bracket assembly from the vehicle. Refer to [Engine Mount Bracket Replacement - Left Side](#).



3. Remove the engine mount retaining nuts.
4. Remove the engine mount from the engine mount brackets.

Installation Procedure





1. Install the engine mount to the engine mount brackets.

Notice: Refer to [Fastener Notice](#) in Cautions and Notices.

2. Install the engine mount retaining nuts.

Tighten

Tighten the nut to 80 N·m (59 lb ft).

3. Install the left engine mount bracket assembly to the vehicle. Refer to [Engine Mount Bracket Replacement - Left Side](#).
4. Lower the vehicle.

<- Back

Forward ->

Document ID# 1400446
2005 Cadillac CTS

Feedback

Print